

Project Name: _____
 Location: _____
 Engineer: _____
 Submitted to: _____
 Submitted by: _____
 Reference: _____

Approval: _____
 Date: _____
 Construction: _____
 Unit #: _____
 Drawing #: _____

Performance

Indoor Unit Model No: FTXS09LVJU
Outdoor Unit Model No: RXS09LVJU
Rated Cooling Capacity (Btu/hr): 9000
Sensible Capacity (Btu/hr): 8100
Max/Min Cooling Capacity (Btu/hr / kW): 9000/4400
Cooling Input Power (kW): 0.59
SEER: 24.5
Rated Heating Capacity (Btu/hr): 12000
Max/Min Heating Capacity (Btu/hr / kW): 12000/4400
Heating Input Power (kW): 0.79
Heating COP (Btu/hr / Btu/hr): 4.47
HSPF: 12.5

Indoor Unit Type: Wall Mounted
Condensing Unit Type: High SEER Heat Pump
Rated Cooling Conditions
 Indoor: 80°F DB/67°F WB
 Outdoor: 95°F DB/75°F WB
Rated Heating Conditions
 Indoor: 70°F DB/60°F WB
 Outdoor: 47°F DB/43°F WB
Rated Piping Length(ft) 25
Rated Height Separation(ft) 0

Indoor Unit Details

Power Supply (V/Hz/Ph): 208-230/60/1ph
Power Supply Connections: L1, L2, Ground
Min Circuit Amps MCA (A): N/A
Max Overcurrent Amps MFA (A): N/A
Dimensions (HxWxD): 10-13/16x34-1/4x14-7/16
Panel (HxWxD): N/A
Net Weight (lbs): 20
Weight with Panel (lbs): N/A

Airflow Rate (CFM wet coil) 381/279/145
Moisture Removal (pt/h): 0.3
Gas Pipe Connection (inch): 3/8
Liquid Pipe Connection (inch): 1/4
Condensate Connection (inch): 5/8
Sound Pressure Level (dBA): 41
Sound Power Level (dBA): 57
Static Pressure Rated/Max (inWg) 0 / 0/0

Condensing Unit Details

Power Supply (V/Hz/Ph): 208-230/60/1ph
Power Supply Connections: L1, L2, Ground
Min. Circuit Amps MCA (A): 8
Max. Overcurrent Amps MFA (A): 15
Max. Starting Current MSC(A): _____
Rated Load Amps RLA (A): 2.9
Dimensions (HxWxD): 21-5/8x30-1/8x11-1/4
Net Weight (lbs): 75

Compressor Type: Inverter
Capacity Control Range (%): _____
Airflow Rate (CFM): 1102
Gas Pipe Connection (inch): 3/8
Liquid Pipe Connection (inch): 1/4
Sound Pressure Level (dBA): 47
Sound Power Level (dBA): 61

System Details

Refrigerant Type: R-410A
Holding Refrigerant Charge (lbs): 2.43
Additional Charge (oz/ft): 0.21
Pre-charge Piping (Length ft): 32.8 ft
Max. Pipe Length (Total ft): 65.6 ft

Max. Pipe Length (Vertical ft): 49.2 ft
Cooling Operation Range (°F): 14 - 115
Cooling Range w/Baffle (°F): 0 - 115
Heating Operation Range (°F): 5 - 64
Heating Range w/Baffle (°F): 0 - 77

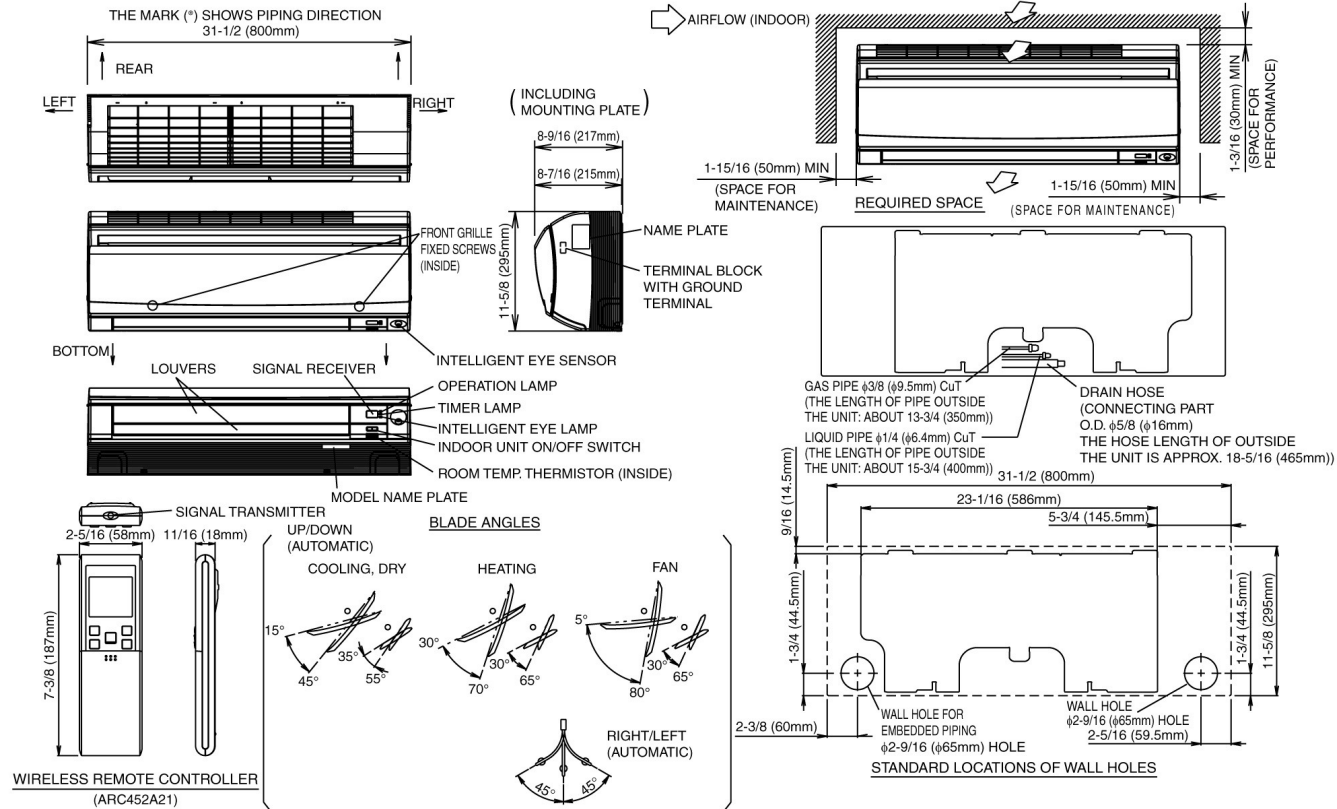
Project Name: _____
 Location: _____
 Engineer: _____
 Submitted to: _____
 Submitted by: _____
 Reference: _____

Approval: _____
 Date: _____
 Construction: _____
 Unit #: _____
 Drawing #: _____

Dimensional Drawing - Indoor Unit

FTXS09LVJU

FTXS09,12LVJU



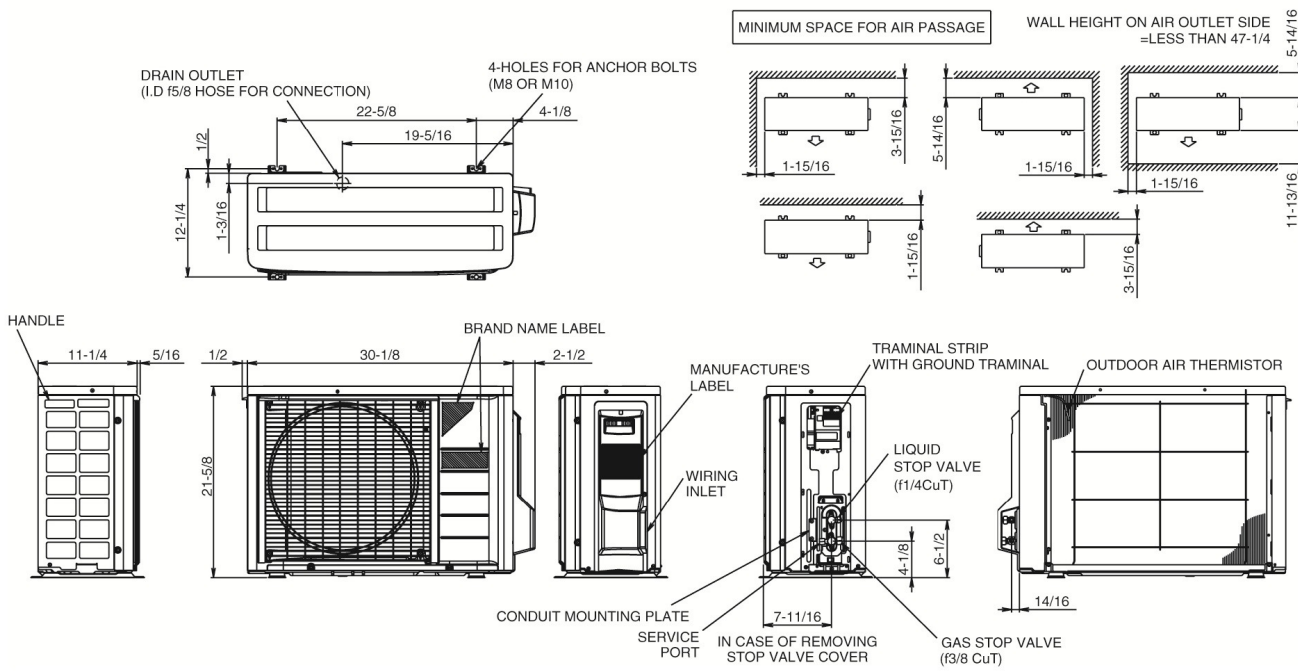
Project Name: _____
 Location: _____
 Engineer: _____
 Submitted to: _____
 Submitted by: _____
 Reference: _____

Approval: _____
 Date: _____
 Construction: _____
 Unit #: _____
 Drawing #: _____

Dimensional Drawing - Condensing Unit

RXS09LVJU

RXS09/12LVJU



Project Name: _____
 Location: _____
 Engineer: _____
 Submitted to: _____
 Submitted by: _____
 Reference: _____

Approval: _____
 Date: _____
 Construction: _____
 Unit #: _____
 Drawing #: _____

FTXS09LVJU



RXS09LVJU



FTXS09LVJU

Options include Wind Baffle, Wired Remote Controller, Mounting Bracket, Std U.S. Warranty: 7yrs Compressor, 5yrs Parts

RXS09LVJU

Options include Wind Baffle, Wired Remote Controller, Mounting Bracket, Std U.S. Warranty: 7yrs Compressor, 5yrs Parts